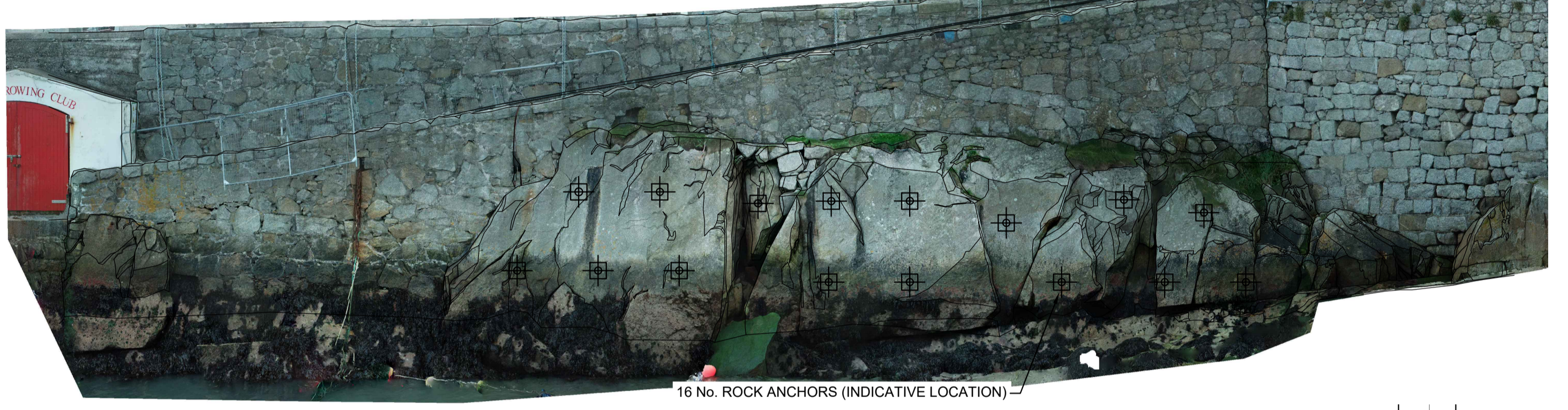
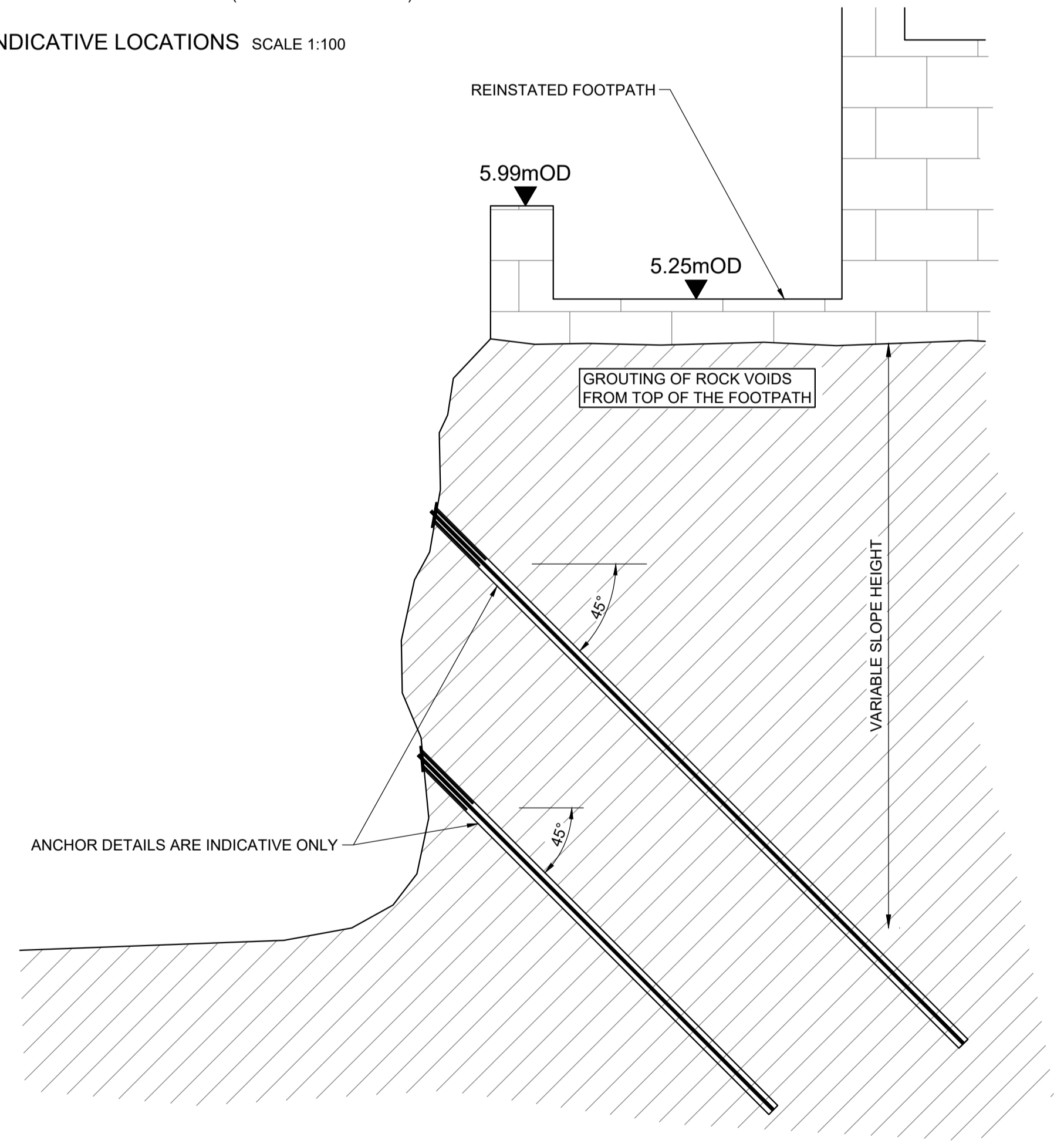
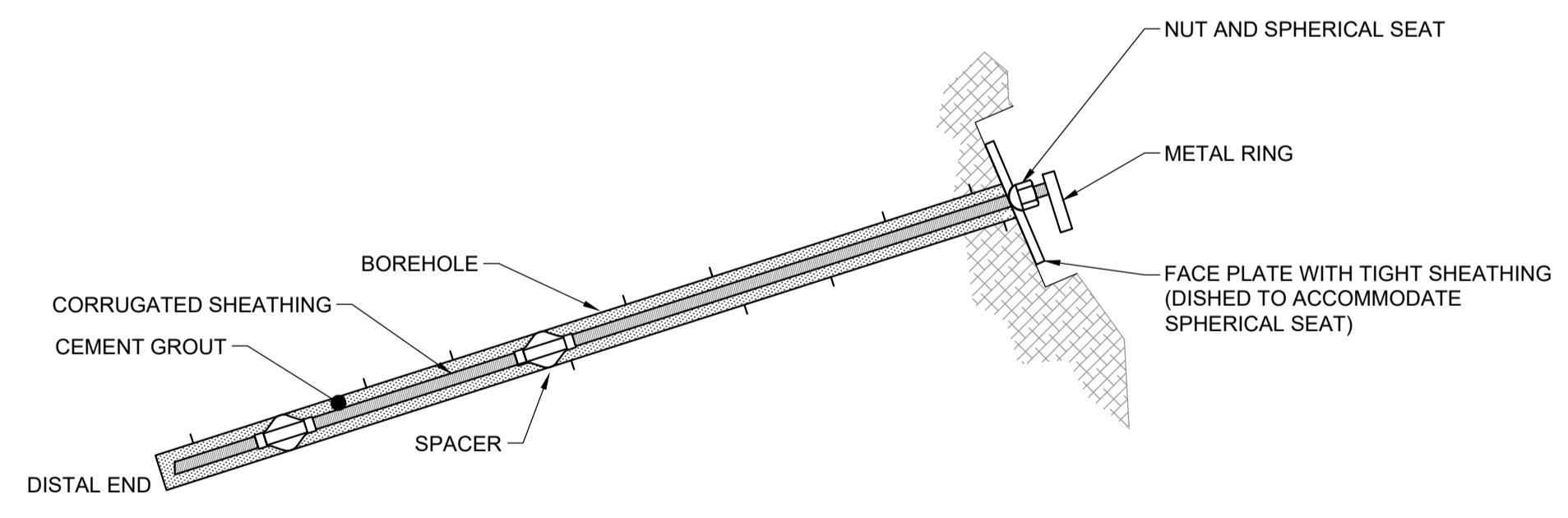


**Elevation A-A** PROPOSED ROCK ANCHOR INDICATIVE LOCATIONS SCALE 1:100



**Elevation A-A (Photo)** PROPOSED ROCK ANCHOR INDICATIVE LOCATIONS SCALE 1:100

- NOTES:**
1. ALL DIMENSIONS ARE IN METRES UNLESS OTHERWISE SHOWN.
  2. ALL LEVELS ARE IN METRES TO ORDNANCE DATUM MALIN HEAD. (mOD)
  3. DO NOT SCALE.
  4. THIS DRAWING SHALL BE READ IN CONJUNCTION WITH ALL OTHER RELEVANT DRAWINGS AND NOTES.
  5. POINTING OF THE MASONRY WALL AND GROUTING BENEATH THE FOOTPATH TO TAKE PLACE IN ADVANCE OF THE ROCK ANCHORING.
  6. CONTRACTOR TO ENSURE ADEQUATE STABILITY OF SLOPE DURING ALL CONSTRUCTION STAGES, WITH DUE CONSIDERATION OF SURCHARGE LOADS DURING CONSTRUCTION FROM PLANT, MATERIALS ETC.
  7. LOCATIONS AND EXTENTS OF ROCK ANCHORS SHOWN ARE INDICATIVE.
  8. ROCK ANCHOR DETAILS SHOWN ARE INDICATIVE, ANCHOR LENGTH AND DETAILS TO BE CONFIRMED DURING DETAILED DESIGN.
  9. ROCK ANCHOR WORKS TO BE IN ACCORDANCE WITH THE FOLLOWING:
    - a. BS 8081:2015+A2:2018 - CODE OF PRACTICE FOR GROUTED ANCHORS.
    - b. BS EN 1537:2000 EXECUTION OF SPECIAL GEOTECHNICAL WORK - GROUND ANCHORS.



- LEGEND:**
- SITE BOUNDARY
  - LANDS ADJACENT TO THE SITE UNDER THE CONTROL OF DÚN LAOGHAIRE RATHDOWN COUNTY COUNCIL

PL2	03/05/22	EG	KR	IA
PL1	16/03/22	EG	GB	IA
Rev	Date	By	Chkd	Appd

**ARUP**  
50 Ringsend Road  
Dublin 4  
D04 T6X0  
Ireland

T +353 1 233 4455  
F +353 1 668 3169  
W [www.arup.com](http://www.arup.com)  
E [dublin@arup.com](mailto:dublin@arup.com)

Client  
Dun Laoghaire Rathdown  
County Council

Project Title  
Coliemore Harbour  
Permanent Remedial Works

Drawing Title  
Proposed Typical Rock Anchor  
Arrangement and Typical Details

Scale at A1 As Shown

Role	Maritime
Suitability	Planning
Arup Job No	277645-00
Name	277645-ARP-ZZ-SK-CM-10
Rev	PL2